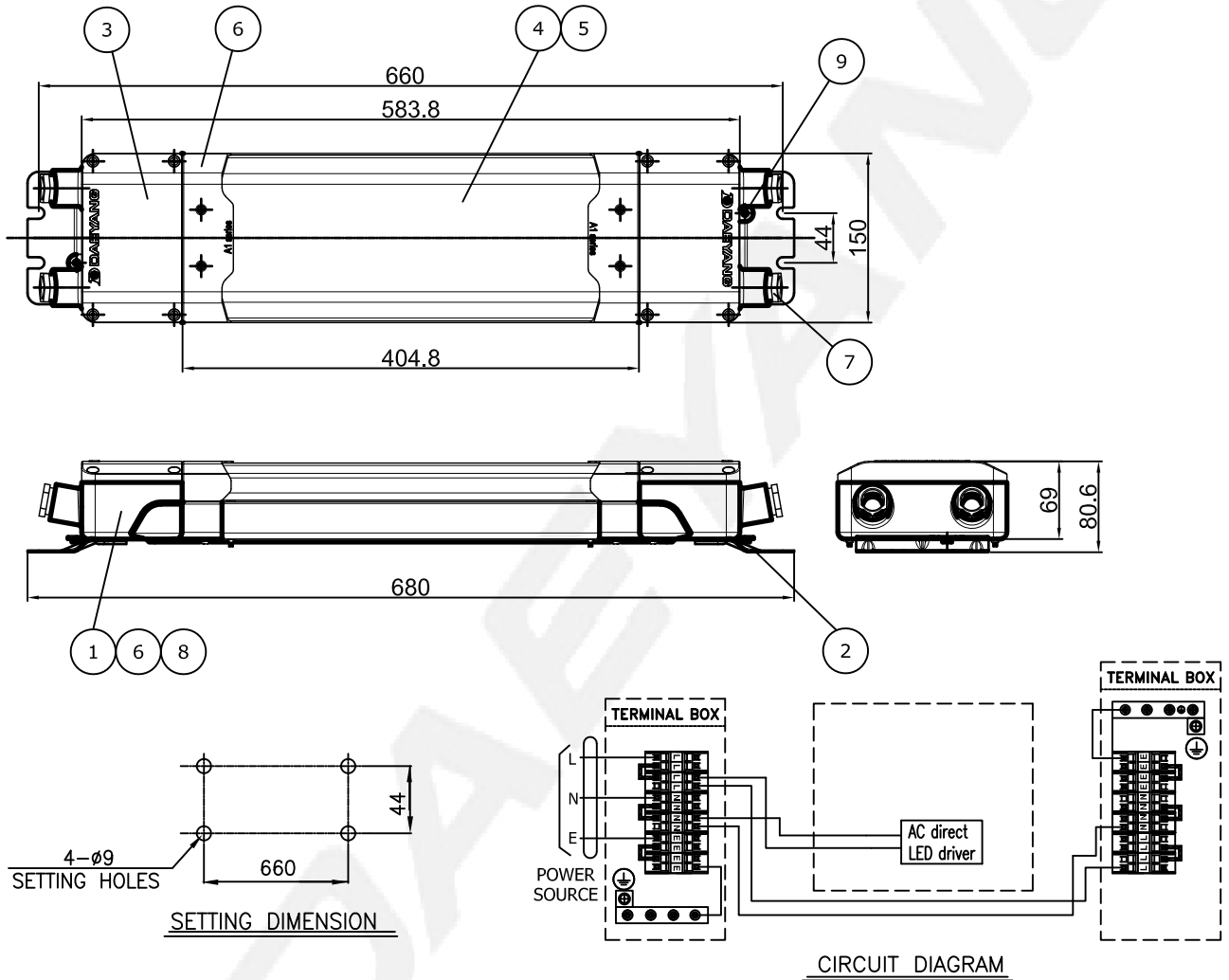


CAPACITY	SYMBOL / SERIAL NO.	CIRCUIT DIAGRAM
AC220~240V, 50/60Hz		
20W x 1		



					5	LED module	-	1	3,000±300K
9	OUTSIDE EARTH BOLT	STAINLESS STEEL304	1		4	GLOBE	POLYCAR-BONATE	1	MILKY
8	INSIDE EARTH BOLT	STAINLESS STEEL304	1		3	BODY COVER	POLYCAR-BONATE	2	
7	CABLE GLAND	-	4	M24xW16 (ø14~16)	2	BODY BRACKET	STAINLESS STEEL316	1	
6	TERMINAL BLOCK	-	2		1	BODY	POLYCAR-BONATE	2	
NO	NAME OF PARTS	MATERIAL	Q'TY	REMARKS	NO	NAME OF PARTS	MATERIAL	Q'TY	REMARKS

APPROVED	S. H. HONG	UNIT	MM	TITLE; LED CEILING LIGHT (SURFACE TYPE) FOR MARINE USE			
CHECKED		SCALE	N/S				
DRAWING	D. H. KIM	COLOR	WHITE				
DATE	2020.10.12	IP	66/67				
				MODEL NO.	LEB120WSA-0200PWNM4w16C30	WEIGHT	3.5kg
				DWG NO.	LO1441012	SHEET NO.	1